
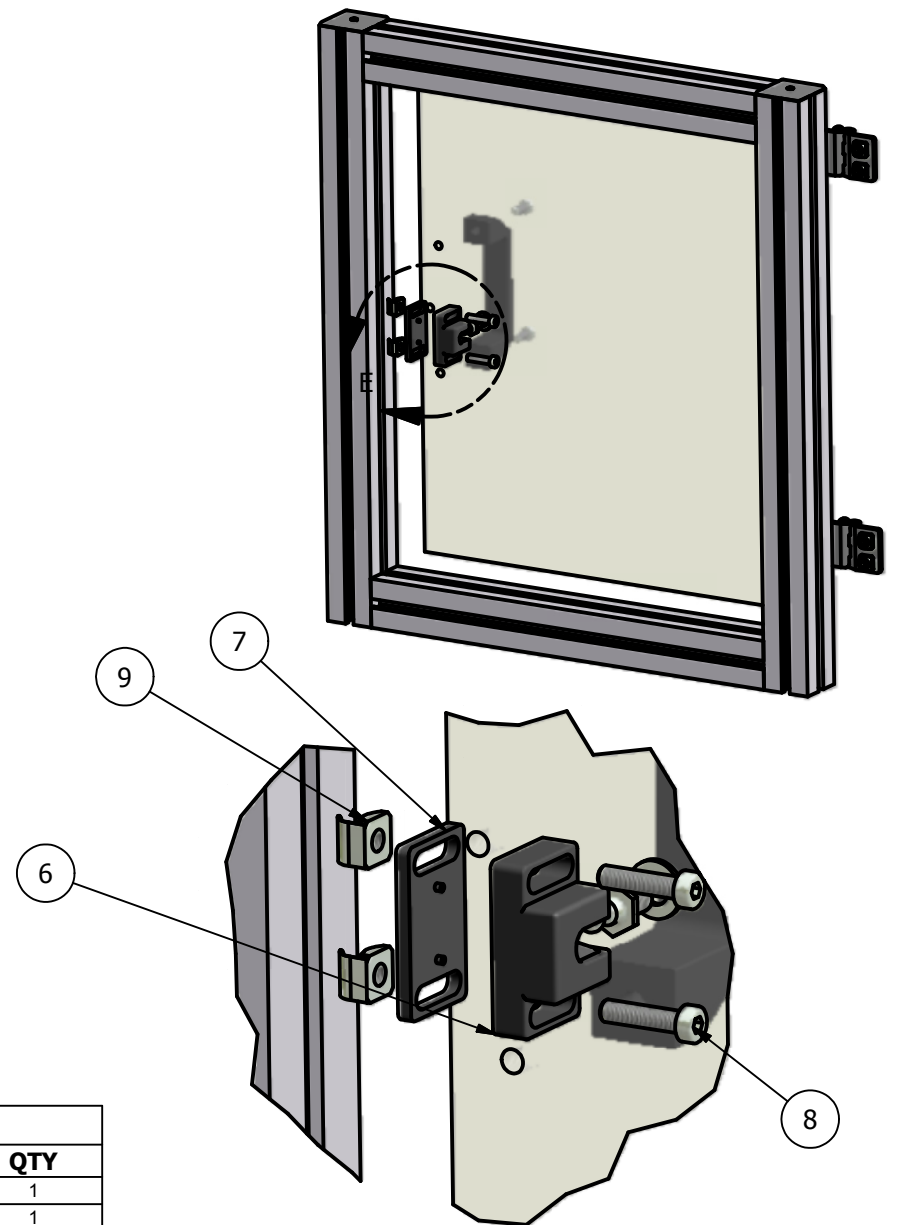
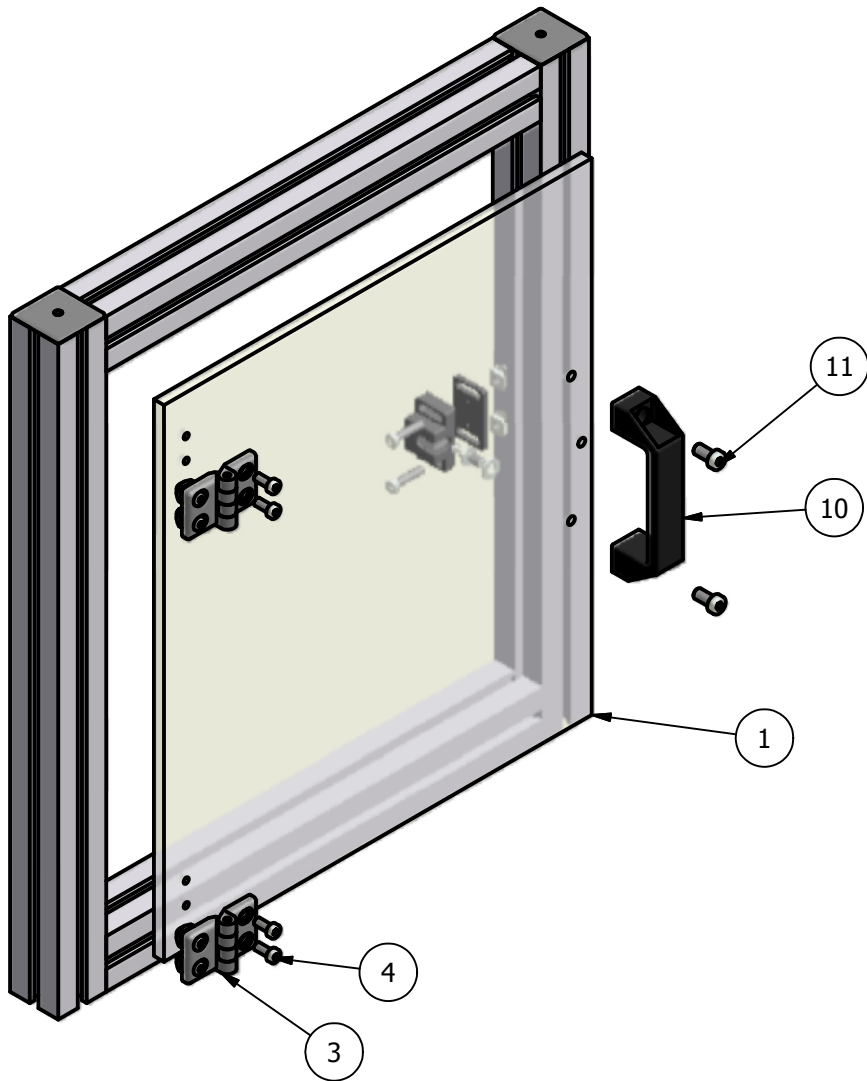


| | | | |
|--|--|---|--|
| PROJECT SP091212-1 | |  <small>WWW.MINITECFRAMING.COM VICTOR, NY PH # 585 924-4690 DIRECT 585 398-1240 EXT 104 FX # 585 924-4821 amoles@minitecframing.com</small> | |
| DRAWN BY ANDY MOLES | | | |
| DATE 9/12/2012 | | DWG NO | |
| DRAWN FOR MINITEC'S CUSTOMER | | REV | |
| TITLE 3/8" DOOR WITH BULLET CATCH | | SP091212-1 | |
| TOLERANCES UNLESS OTHERWISE NOTED X +/- .125" .XX +/- .015" .XXX +/- .010" | | MATERIAL | |
| FINISH | | SHEET 1 OF 4 | |



PARTS LIST QTY 1

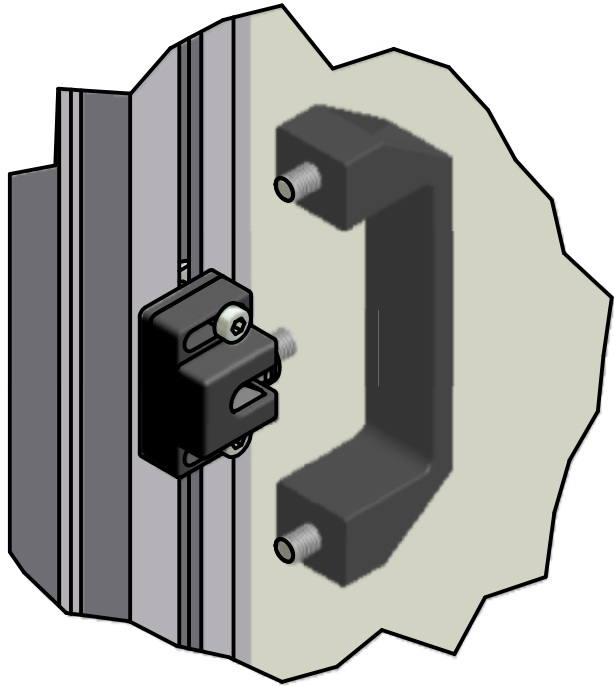
| ITEM | PART # | MATERIAL | DESCRIPTION | QTY |
|------|--------------|-----------------------------|-------------------------|-----|
| 1 | SP091212-1-1 | 21.9560 3/8" CLEAR POLYCARB | MACHINE TO SP091212-1-1 | 1 |
| 2 | SP091212-1 | | ALUMINUM FRAME ASSY | 1 |
| 3 | 21.1175 | | HINGE 45 M6 | 2 |
| 4 | 21.1367 | | M6X14 SHCS | 4 |
| 5 | 21.1127 | | M8 ROUND WASHER | 1 |
| 6 | 21.9303 | | BULLET CATCH 40 | 1 |
| 7 | 21.9304 | | BULLET CATCH SPACER | 1 |
| 8 | 21.1242 | | M6X25 SHCS | 2 |
| 9 | 21.1330/2 | | M6 SQUARE NUT POS FXG | 2 |
| 10 | 21.1092/2 | | HANDLE 120 BLACK BODY | 1 |
| 11 | 21.1200 | | M8 x 16 SHCS | 2 |

PROJECT SP091212-1
 DRAWN BY ANDY MOLES
 DATE 9/12/2012
 DRAWN FOR
 MINITEC'S
 CUSTOMER

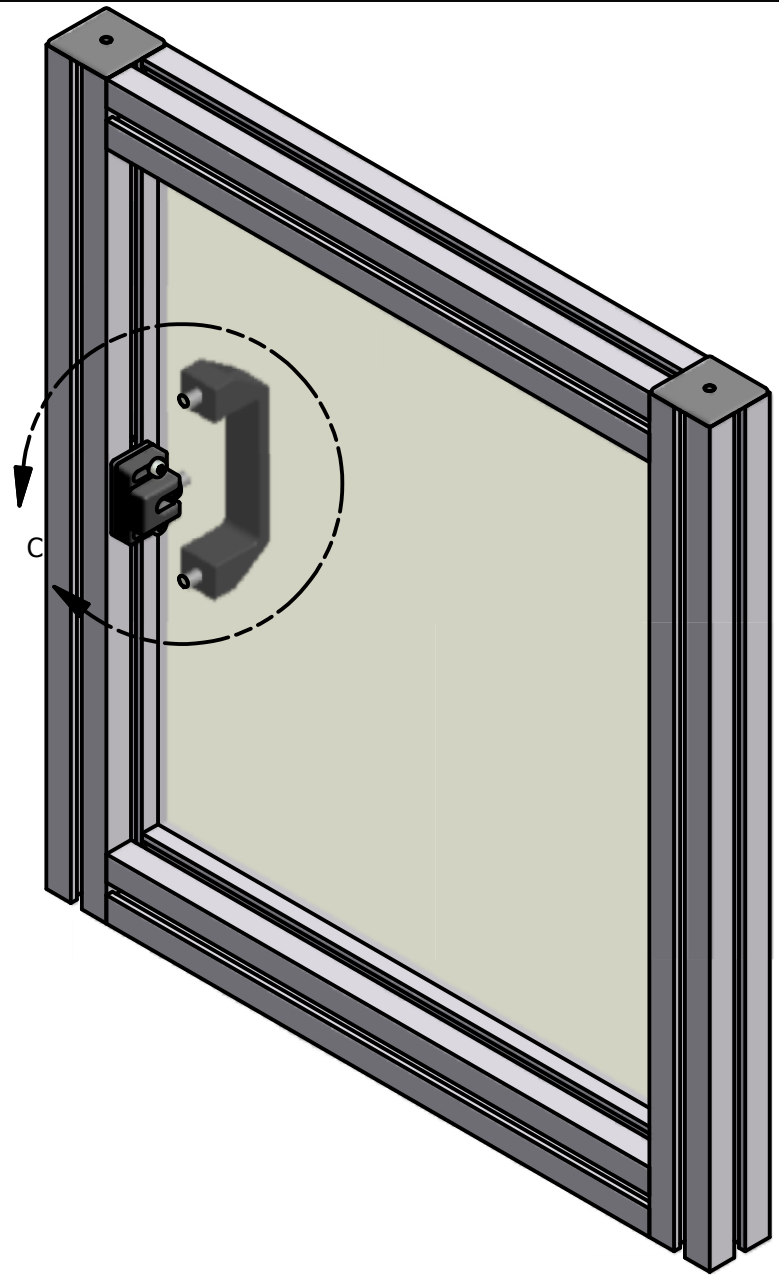
MiniTec
 THE ART OF SIMPLICITY
 WWW.MINITECFRAMING.COM
 VICTOR, NY
 PH # 585 924-4690
 DIRECT 585 398-1240 EXT 104
 FX # 585 924-4821
 amoles@minitecframing.com

TITLE
 3/8" DOOR WITH BULLET
 CATCH
 DWG NO
SP091212-1
 REV

TOLERANCES
 UNLESS OTHERWISE NOTED
 X +/- .125"
 .XX +/- .015"
 .XXX +/- .010"
 MATERIAL
 FINISH
 SHEET 2 OF 4




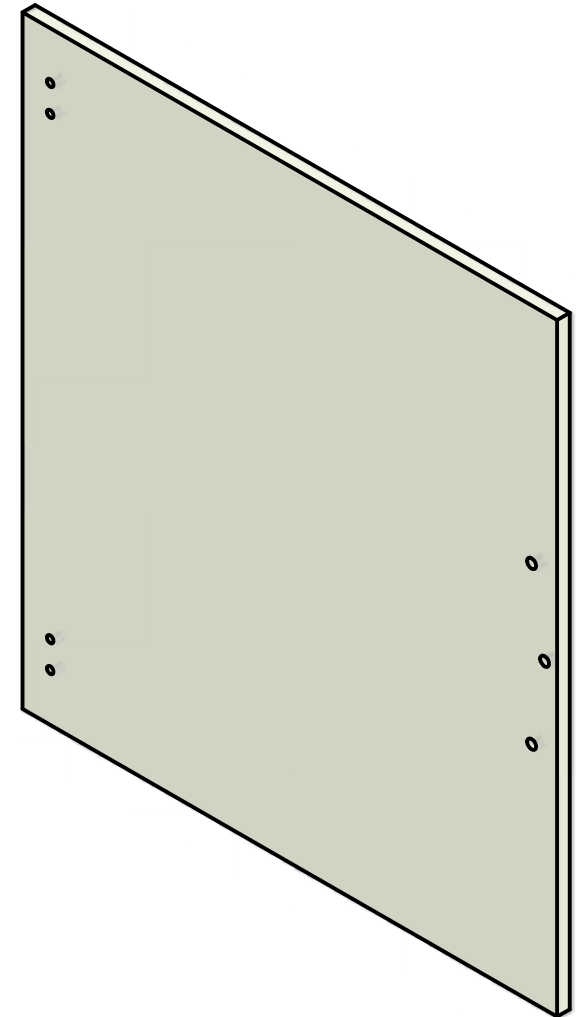
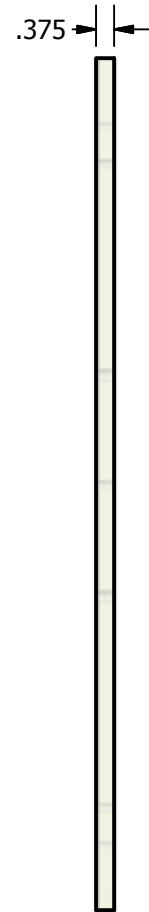
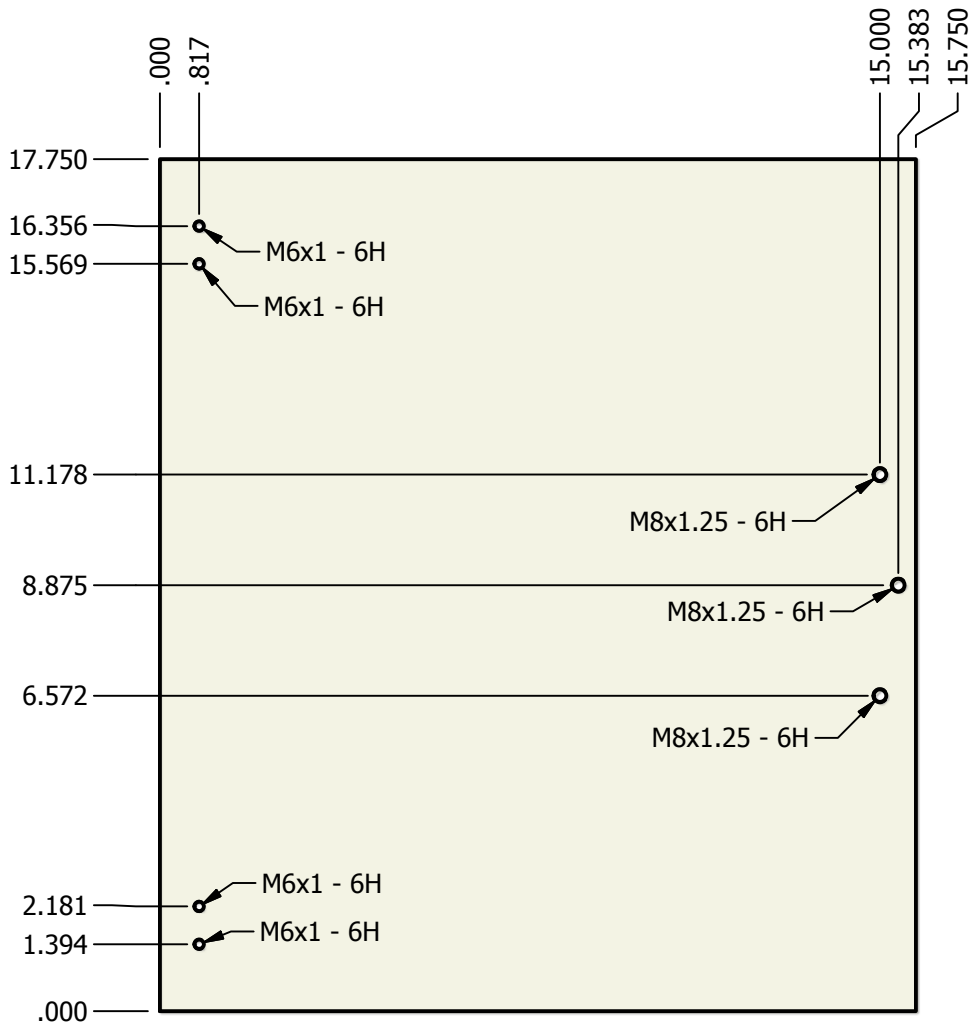
DETAIL C
SCALE 1 / 2



APPROVAL INITIALS:

PRE-MILL INSPECTION
 PROFILE ___ MITER ANGLE ___
 LENGTH ___ MITER DIR. ___

| | | | | |
|---|--|--|---|--------------|
| PROJECT SP091212-1 | |  THE ART OF SIMPLICITY | <small>WWW.MINITECFRAMING.COM VICTOR, NY PH # 585 924-4690 DIRECT 585 398-1240 EXT 104 FX # 585 924-4821 amoles@minitecframing.com</small> | |
| DRAWN BY ANDY MOLES | | | DWG NO | |
| DATE 9/12/2012 | | | SP091212-1 | |
| DRAWN FOR MINITEC'S CUSTOMER | | TITLE 3/8" DOOR WITH BULLET CATCH | | REV |
| TOLERANCES UNLESS OTHERWISE NOTED X +/- .12" .XX +/- .015" .XXX +/- .010" | | MATERIAL | | FINISH |
| | | | | SHEET 3 OF 4 |



APPROVAL INITIALS:

PRE-MILL INSPECTION
 PROFILE ___ MITER ANGLE ___
 LENGTH ___ MITER DIR. ___

| | | | | |
|---|---|--------------------------------------|---|--|
| PROJECT SP091212-1 | | | <small>WWW.MINITECFRAMING.COM VICTOR, NY PH # 585 924-4690 DIRECT 585 398-1240 EXT 104 FX # 585 924-4821 amoles@minitecframing.com</small> | |
| DRAWN BY ANDY MOLES | | | | |
| DATE 9/12/2012 | | | | |
| DRAWN FOR MINITEC'S CUSTOMER | TITLE 3/8" DOOR WITH BULLET CATCH | DWG NO SP091212-1-1 | REV | |
| TOLERANCES UNLESS OTHERWISE NOTED X +/- .12" .XX +/- .015" .XXX +/- .010" | | MATERIAL 21.9560 3/8" CLEAR POLYCARB | | |
| FINISH | | SHEET 4 OF 4 | | |